

SUMMER

MIA Sink Mixer WMH568055DH



Product information

Don't get lost in the dark! The Mia series' matte black finish gives off an exquisite and sophisticated aura that is bound to perfectly compliment any contemporary designs.

Available finishes:

Matte Black

Specifications:

Product Code: WMH568055DH Black

WELS: 5 Star – 5 Litres/mins

Materials: Brass

Cartridge: 35mm Ceramic disc

Temperature: Max 80°C

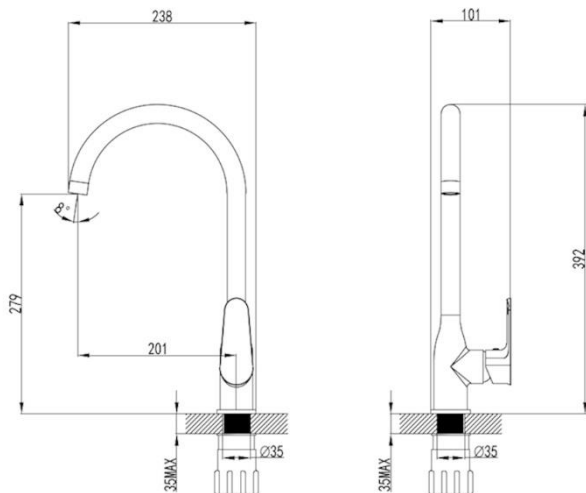
Pressure: Max 500 Kpa

Connections: 1/2 " BSP Female

Warranty:

15 years warranty for parts

5 year warranty for parts and labour



15 SUMMER
YEAR
WARRANTY

W
WaterMark

Certified Product
Australian
Standard

