



# MIA Short Basin Mixer WMH168055DH



### Product information

Don't get lost in the dark! The Mia series' matte black finish gives off an exquisite and sophisticated aura that is bound to perfectly compliment any contemporary designs.

### Available finishes:

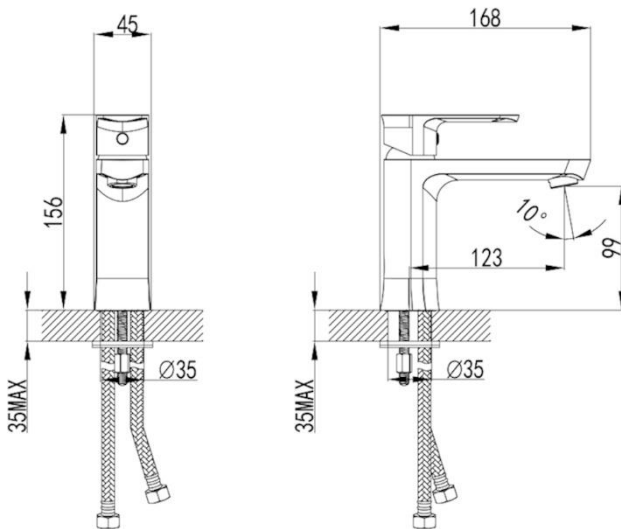
Matte Black

### Specifications:

Product Code: WMH168055DH Black  
WELS: 5 Star – 5 Litres/mins  
Materials: Brass  
Cartridge: 35mm Ceramic disc  
Temperature: Max 80°C  
Pressure: Max 500 Kpa  
Connections: 1/2 " BSP Female

### Warranty:

15 years warranty for parts  
5 year warranty for parts and labour



**15** SUMMER  
YEAR  
WARRANTY

