

## EVA Tall Basin Mixer ZS16S75



### Product information

Contemporary design with swivel aerator for easier and convenient water flow. Durable and elegant chrome finish that is perfect for any modern style interior. 100% Pressure system tested. Australian designed and engineered

### Available finishes:

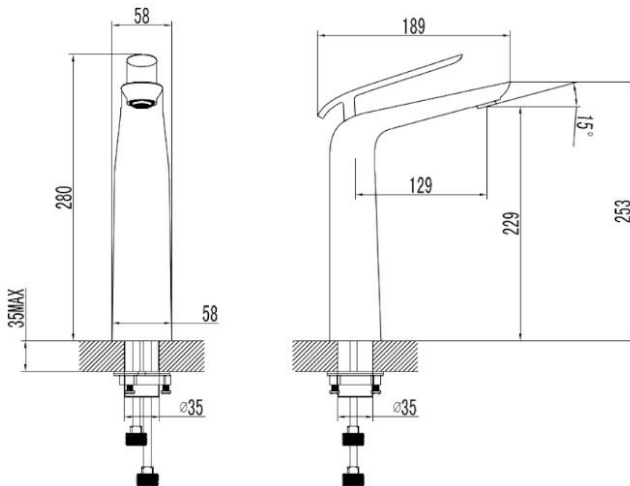
Chrome  
Chrome and White

### Specifications:

Product Code: ZS16S75C Chrome  
ZS16S75JW White and Chrome  
WELS: 6 Star – 4.5 Litres/mins  
Materials: Brass  
Cartridge: 25mm Ceramic disc  
Temperature: Max 80°C  
Pressure: Max 500 Kpa  
Connections: 1/2 " BSP Female

### Warranty:

7 years warranty for parts or product  
1 year warranty for parts and labour



ZS16S75

